

TA 400

Ball valve – DN 10-15



Ball valve – DN 10-15

The TA 400 is a flexible and easy-to-install ball valve for heating, cooling and tap water systems. Pressure die casted AMETAL[®] cuts risk of leakage and ensures a long product lifetime.

Key features

KOMBI connections

Flexible range of compression couplings ensures a smoother installation.

AMETAL[®]

Dezincification resistant alloy that guarantees a longer valve lifetime and lowers the risk of leakage.

Material:

Body: AMETAL[®]
Nipple: AMETAL[®]
Spindle: AMETAL[®]
Ball: AMETAL[®]
Sealing rings: EPDM-rubber
Handle: Acétal-plastic

Technical description

Applications:

Heating and cooling systems
Tapwater systems

Function:

Shut-off

Dimensions:

DN 10-15

Pressure class:

PN 10

Temperature:

Max. working temperature: 95°C

AMETAL[®] is the dezincification resistant alloy of IMI Hydronic Engineering.

Surface treatment:

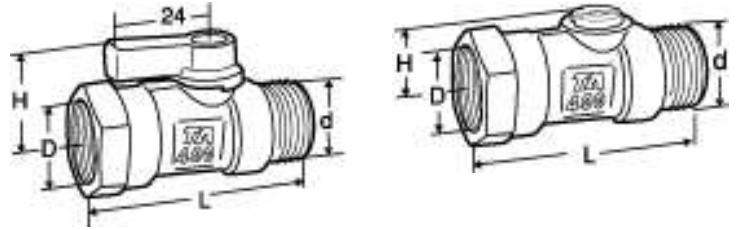
Chrome plated

Marking:

Body: TA 400 and inch size.

Артикулы

Female/male



Without handle

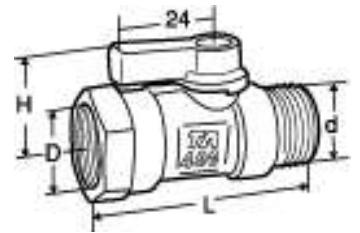
DN	D	d	L	H	Kvs	EAN	Article No
10	G3/8	G3/8	53	15	4.5	7318793319005	58 400-210
15	G1/2	G1/2	59	15	4.5	7318793319104	58 400-215

With blue handle

DN	D	d	L	H	Kvs	EAN	Article No
10	G3/8	G3/8	53	25	4.5	7318793319609	58 400-610
15	G1/2	G1/2	59	25	4.5	7318793319708	58 400-615

With plane nipple end for couplings with gasket

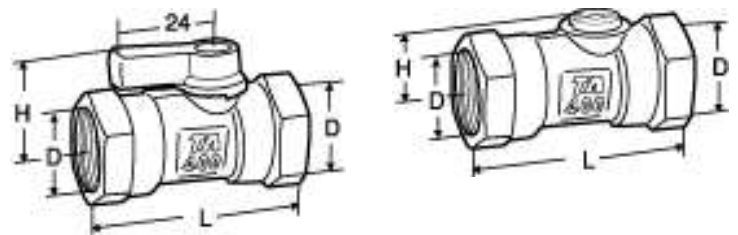
(e.g. FPL half coupling)



With black handle

DN	D	d	L	H	Kvs	EAN	Article No
15	G1/2	R1/2	62	25	4.5	7318793742100	58 410-615

Female

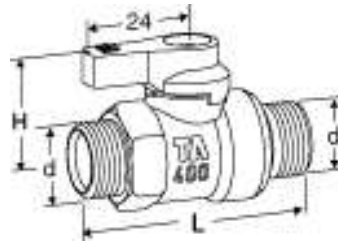
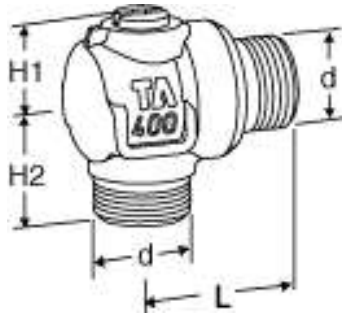


Without handle

DN	D	L	H	Kvs	EAN	Article No
10	G3/8	52	15	4.5	7318793320209	58 403-210
15	G1/2	66	15	4.5	7318793320308	58 403-215

With blue handle

DN	D	L	H	Kvs	EAN	Article No
10	G3/8	52	25	4.5	7318793320803	58 403-610
15	G1/2	66	25	4.5	7318793320902	58 403-615

**Male****Without handle**

DN	d	L	H	Kvs	EAN	Article No
10	G3/8	52	15	4.5	7318793929600	58 406-210
15	G1/2	57	15	4.5	7318793929709	58 406-215

With blue handle

DN	d	L	H	Kvs	EAN	Article No
10	G3/8	52	25	4.5	7318793929808	58 406-610
15	G1/2	57	25	4.5	7318793929907	58 406-615

Without handle

DN	d	L	H1	H2	Kvs	EAN	Article No
10	G3/8	27	15	22	2.0	7318793930002	58 407-210
15	G1/2	27	15	24	2.0	7318793930101	58 407-215

With blue handle

DN	d	L	H1	H2	Kvs	EAN	Article No
10	G3/8	27	25	22	2.0	7318793930200	58 407-610
15	G1/2	27	25	24	2.0	7318793930309	58 407-615

$Kvs = m^3/h$ at a pressure drop of 1 bar and fully open valve.

Handle

Colour	EAN	Article No
Blue	7318793321404	58 409-001
Red	7318793321503	58 409-002
Black	7318793742001	58 409-003

<http://www2.imi-hydronic.com/ru/products-solutions/expert-system-components/-/-TA-400/>